

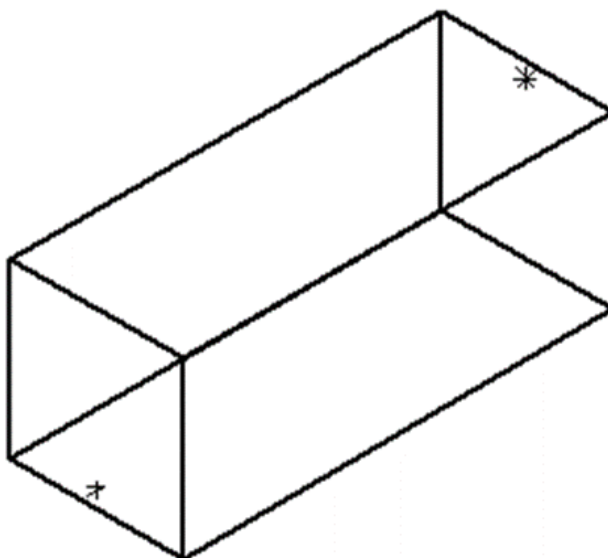


The 2021 ICPC Greater NY Regional Contest

## F • Spider-Fly

In the English newspaper *Weekly Dispatch* on 14 June 1903, Henry Dudeney posed the following problem (that's right, everyone is now typing "henry dudeney spider fly" into Google search).

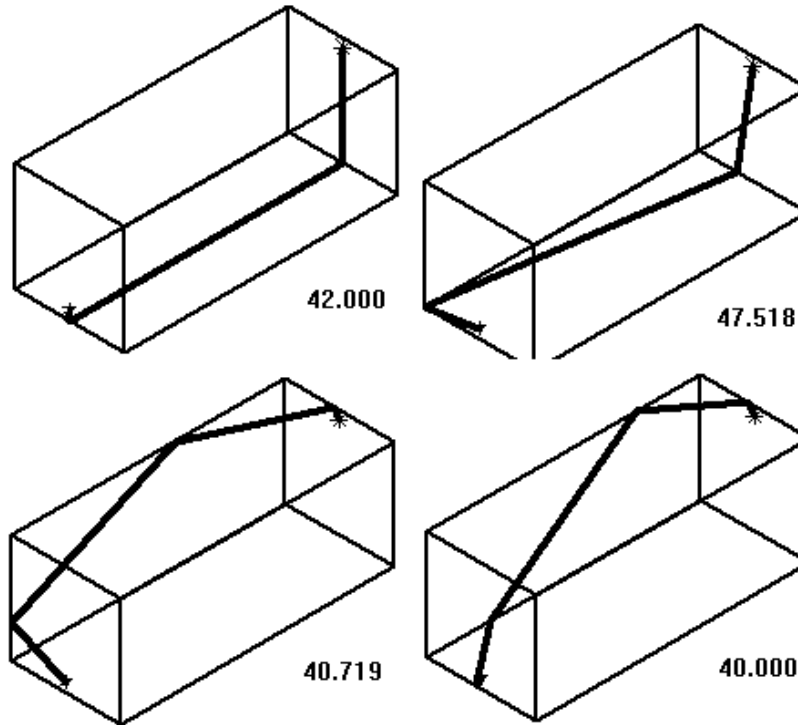
In a room 12 feet wide, 12 feet high and 30 feet long, there is a spider 1 foot from the ceiling and horizontally centered on one end wall. There is a fly 1 foot from the floor and horizontally centered on the opposite wall. What is the shortest path (in feet) the spider can walk across walls, ceiling or floor to reach the fly?



Several possible paths are shown below together with their lengths. The 40 foot path is (one of) the shortest.

(Continued on the next page)

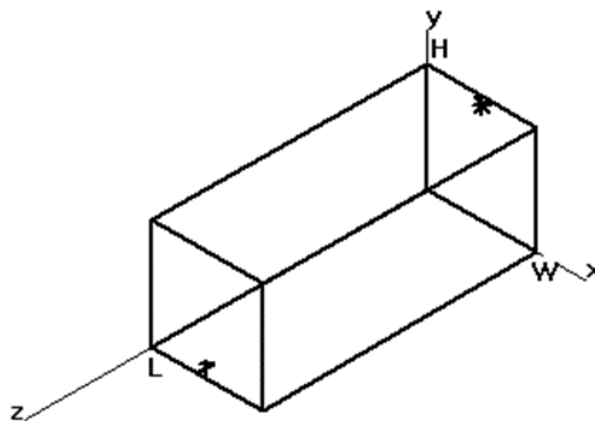
The 2021 ICPC Greater NY Regional Contest



Write a program which solves the general spider-fly problem.

**Input**

The input will use a coordinate system with origin at a corner of the room. The **x**-axis in the direction of the width, the **y**-axis in the direction of the height and the **z**-axis in the direction of the length so that  $0 \leq x \leq \text{Width}$ ,  $0 \leq y \leq \text{Height}$  and  $0 \leq z \leq \text{Length}$ :





ICPC North America Regionals

icpc international collegiate programming contest



icpc global sponsor  
programming tools



upsilon pi epsilon  
honor society

aws educate

icpc EdTech  
gold sponsor

## The 2021 ICPC Greater NY Regional Contest

The input consists of three lines of input. The first input line contains three double precision decimal numbers giving the *Width*, *Height* and *Length* (in feet) in that order ( $0 < \textit{Width}, \textit{Height}, \textit{Length} \leq 30$ ). The second line consists of three double precision decimal numbers:  $x$ ,  $y$  and  $z$ , in that order, giving the coordinates of the spider. The third line consists of three double precision decimal numbers:  $x$ ,  $y$  and  $z$ , in that order, giving the coordinates of the fly. In each of the latter two lines, the points will be on a wall, the floor or the ceiling, that is: either  $x = 0$  OR  $x = \textit{Width}$  OR  $y = 0$  OR  $y = \textit{Height}$  OR  $z = 0$  OR  $z = \textit{Length}$ .

### Output

The single output line consists of a single floating point decimal value, accurate to three decimal places, giving the length of the shortest path in feet.

Sample Input	Sample Output
12 12 30 6 11 0 6 1 30	40.000